

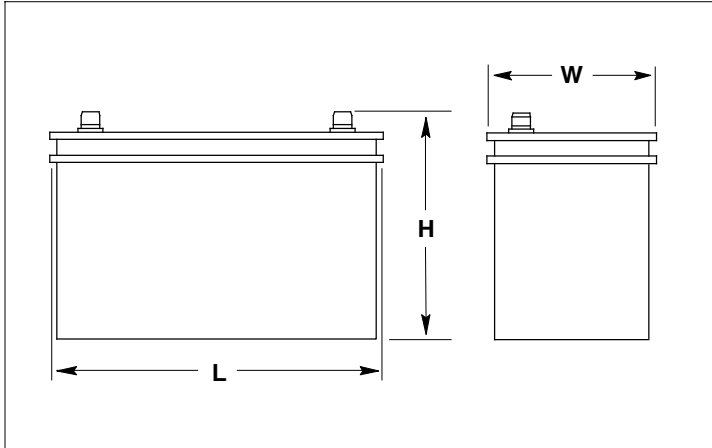
Residential/Commercial Generator Accessories

KOHLER Power Systems

System Batteries

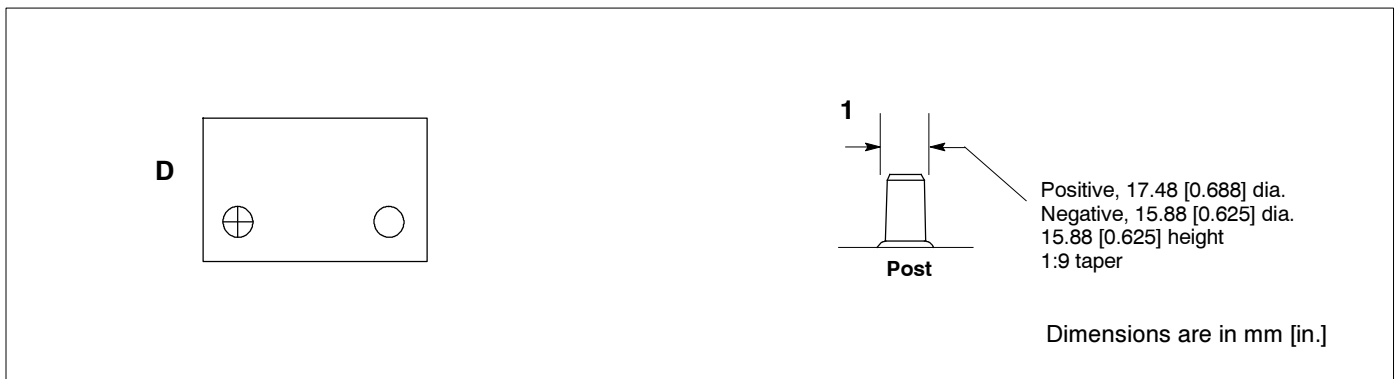
ISO 9001
KOHLER
POWER SYSTEMS
NATIONALLY REGISTERED

Overall Dimensions



- Kohler Co. selects batteries to meet the engine manufacturer's specifications and to comply with NFPA requirements for engine-cranking cycles.
- Heavy-duty starting batteries are the most cost-effective means of engine cranking and provide excellent reliability in generator set applications.
- Batteries are rated according to SAE standard J-537. All batteries are 12-volt and have lead-calcium or lead-antimony plates with sulfuric acid electrolyte.
- Tough polypropylene cases protect against life-shortening vibration and impact damage.
- Some batteries are equipped with removable cell covers to allow checking of electrolyte specific gravity.
- Some batteries are maintenance-free.

Battery Post Layout and Style



Battery Specifications

Gas Models with 12-Volt Engine Electrical Systems

Models	Charge Type*	Battery Kit Number	Battery Part Number	Battery Qty. per Kit	BCI Group Size	Battery SAE Dimensions, mm (in.)			Cold Cranking Amps at -18°C (0°F) Min.	Reserve Capacity Minutes at 27°C (80°F) Minimum	Battery Post Layout and Style
						L	W	H			
6VSG	Wet	GM75513-KP1	GM75512	1	51	238.0 (9.4)	129.0 (5.1)	223.0 (8.8)	500	85	D/1
8.5/12RES	Wet	GM48808-KP1	GM48784	1	26	208.0 (8.2)	173.0 (6.8)	196.9 (7.8)	525	70	D/1
12RESL	Wet	GM48808-KP1	GM48784	1	26	208.0 (8.2)	173.0 (6.8)	196.9 (7.8)	525	70	D/1
17/18RES	Wet	GM48808-KP1	GM48784	1	26	208.0 (8.2)	173.0 (6.8)	196.9 (7.8)	525	70	D/1
17/18RESL	Wet	GM48808-KP1	GM48784	1	26	208.0 (8.2)	173.0 (6.8)	196.9 (7.8)	525	70	D/1
14/20RES	Wet	GM75513-KP1	GM75512	1	51	238.0 (9.4)	129.0 (5.1)	223.0 (8.8)	500	85	D/1
14/20RESA	Wet	GM75513-KP1	GM75512	1	51	238.0 (9.4)	129.0 (5.1)	223.0 (8.8)	500	85	D/1
14/20RESL	Wet	GM75513-KP1	GM75512	1	51	238.0 (9.4)	129.0 (5.1)	223.0 (8.8)	500	85	D/1
14/20RESAL	Wet	GM75513-KP1	GM75512	1	51	238.0 (9.4)	129.0 (5.1)	223.0 (8.8)	500	85	D/1
15/30RES	Wet	GM48808-KP1	GM48784	1	26	208.0 (8.2)	173.0 (6.8)	196.9 (7.8)	525	70	D/1
15/30RESA	Wet	GM48808-KP1	GM48784	1	26	208.0 (8.2)	173.0 (6.8)	196.9 (7.8)	525	70	D/1
15/30RYG	Wet	GM48808-KP1	GM48784	1	26	208.0 (8.2)	173.0 (6.8)	196.9 (7.8)	525	70	D/1
15/30REYG	Wet	GM48808-KP1	GM48784	1	26	208.0 (8.2)	173.0 (6.8)	196.9 (7.8)	525	70	D/1
38/48RCL†	Wet	GM89020-KP1	256984	1	24	273.0 (10.8)	173.0 (6.8)	228.6 (9.0)	650	130	D/1
40-125ERES‡	Wet	256985 ‡	256984	1	24	273.0 (10.8)	173.0 (6.8)	228.6 (9.0)	650	130	D/1
50-125ERESB‡	Wet	256985 ‡	256984	1	24	273.0 (10.8)	173.0 (6.8)	228.6 (9.0)	650	130	D/1
80-100ERESD‡	Wet	256985 ‡	256984	1	24	273.0 (10.8)	173.0 (6.8)	228.6 (9.0)	650	130	D/1
125/150ERESC‡	Wet	256985 ‡	256984	1	24	273.0 (10.8)	173.0 (6.8)	228.6 (9.0)	650	130	D/1

* Charge type: Wet-charged batteries contain electrolyte.

† For these models, batteries are only available as loose kits.

‡ For these models, batteries are only available factory-installed on the generator set.

Note: All models have a single starter motor. Batteries are for applications below and above 0°C (32°F).

DISTRIBUTED BY:

Availability is subject to change without notice. Kohler Co. reserves the right to change the design or specifications without notice and without any obligation or liability whatsoever. Contact your local Kohler® generator distributor for availability.

© 2004, 2006, 2011, 2012, 2013 by Kohler Co. All rights reserved.