

COVER SHOWN



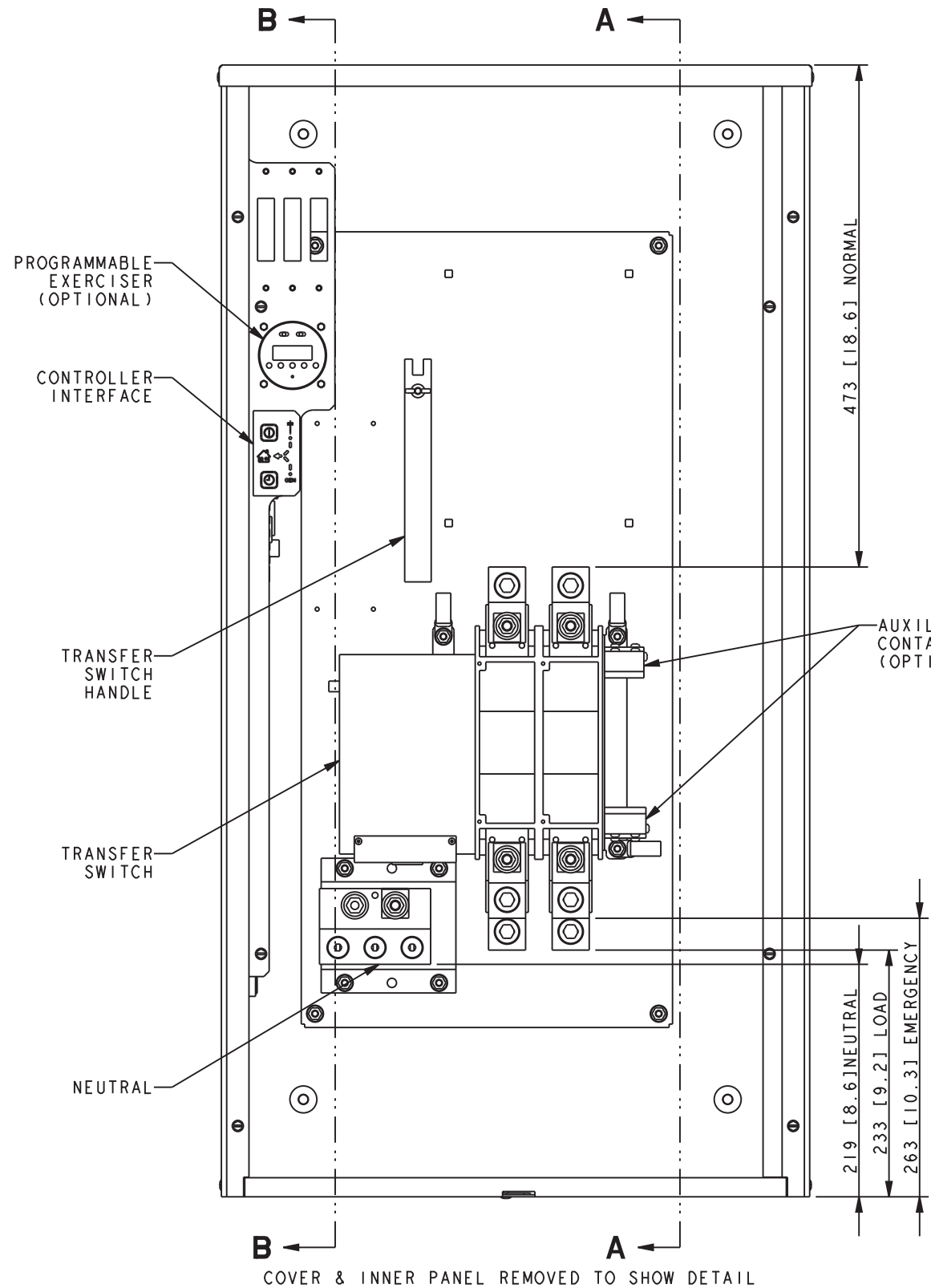
INNER PANEL SHOWN

NOTES:
 DIMENSIONS IN [] ARE INCHES.
 FINISH: ANSI 49 GRAY.
 REFER TO OPERATOR'S MANUAL PRIOR TO
 INSTALLATION AND OPERATION OF UNIT.
 POWER CABLES AND CONTROL WIRING MUST BE
 RUN IN METAL CONDUIT.
 APPROXIMATE WEIGHT: -----

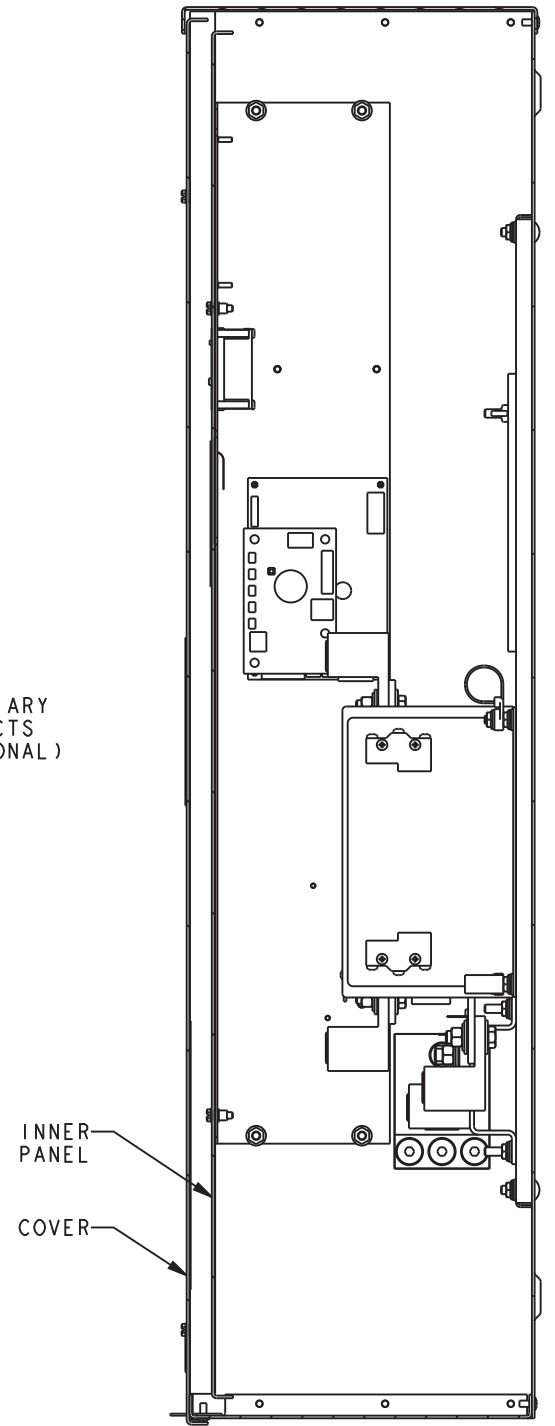
MODEL R
 MPAC 500 400A
 SPECIFIC BREAKER RATED
 STANDARD TRANSITION
 NEMA 3R

REV	DATE	ON COMPOSITE DWGS. SEE PART NO. FOR REVISION LEVEL	BY
-	8-17-11	NEW DRAWING [90714-4]	BTW

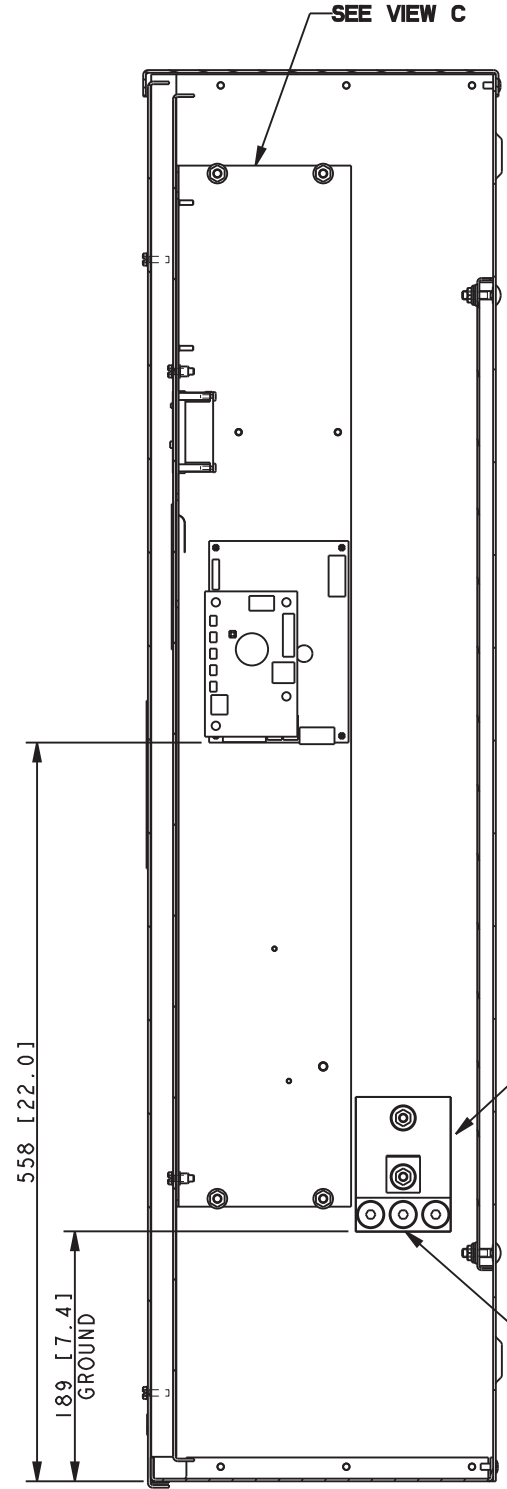
UNLESS OTHERWISE SPECIFIED - 1) DIMENSIONS ARE IN MILLIMETERS 2) TOLERANCES ARE: X.XX ± 0.25 X.X ± 1.0 X ± 1.5 ANGLES ± 0° 30' MAX.		KOHLER CO. METRIC PRO-E POWER SYSTEMS, KOHLER, WI 53044 U.S.A. THIS DRAWING IN DESIGN AND DETAIL IS KOHLER CO. PROPERTY AND MUST NOT BE USED EXCEPT IN CONNECTION WITH KOHLER CO. WORK. ALL RIGHTS OF DESIGN OR INVENTION ARE RESERVED.
THIRD ANGLE PROJECTION		
APPROVALS		TITLE
DATE	DATE	DIMENSION PRINT
DRAWN BTW 8-17-11	CHECKED BTW 8-17-11	SCALE 0.25 CAD NO.
APPROVED MTL 8-17-11		DWG NO. ADV-8439 SHEET 1 of 2



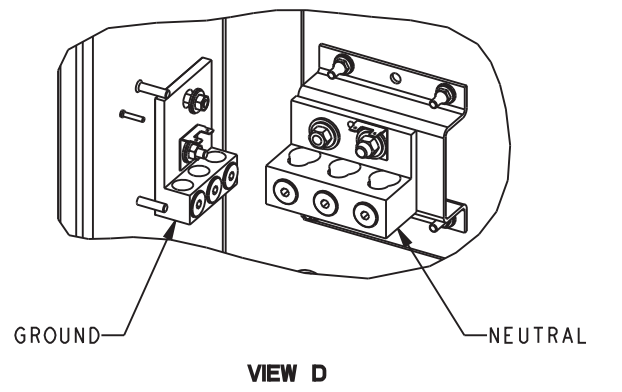
COVER & INNER PANEL REMOVED TO SHOW DETAIL



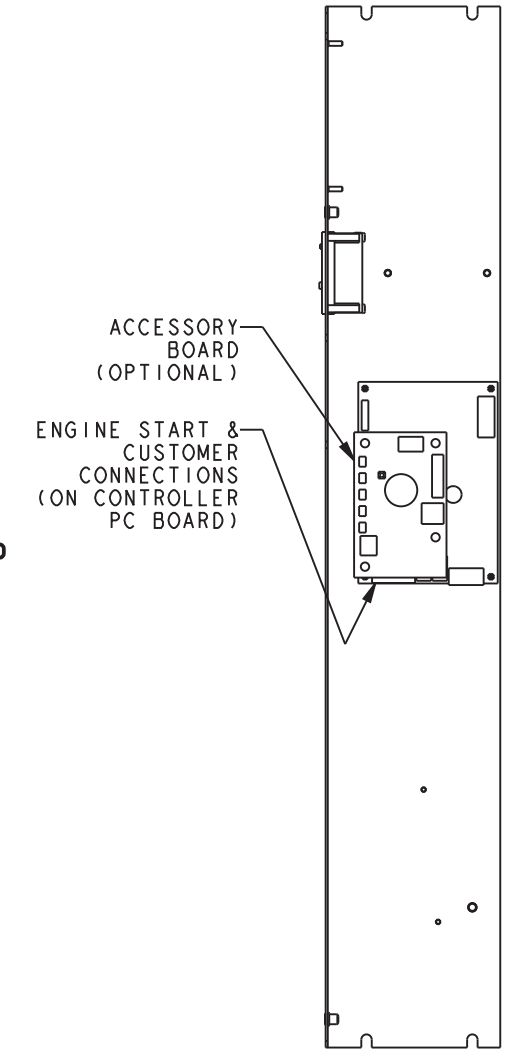
SECTION A-A



SECTION B-B



VIEW D



VIEW C

SCREW TYPE TERMINALS FOR EXTERNAL POWER CONNECTION			
SWITCH RATING (AMPS)	RANGE OF AL-CU WIRE SIZES		
	CONTACTOR (PER PHASE)	NEUTRAL	GROUND
400	(2) 1/0 TO 250 KCMIL OR (1) #4 TO 600 KCMIL	(6) 1/0 TO 250 KCMIL OR (3) #4 TO 600 KCMIL	(3) #14 TO 1/0 AWG

MODEL R
MPAC 500 400A
SPECIFIC BREAKER RATED
STANDARD TRANSITION
NEMA 3R

REV	DATE	ON COMPOSITE DWGS. SEE PART NO. FOR REVISION LEVEL	BY
-	8-17-11	NEW DRAWING [90714-4]	BTW

UNLESS OTHERWISE SPECIFIED:
1) DIMENSIONS ARE IN MILLIMETERS
2) TOLERANCES ARE:
X.XX ± 0.25
X.X ± 1.0
X ± 1.5
ANGLES ± 0° 30'
SURFACE FINISH MAX.
THIRD ANGLE PROJECTION

APPROVALS	DATE
DRAWN BTW	8-17-11
CHECKED BTW	8-17-11
APPROVED MTL	8-17-11

KOHLER CO. METRIC PRO-E
POWER SYSTEMS, KOHLER, WI 53044 U.S.A.
THIS DRAWING IN DESIGN AND DETAIL IS KOHLER CO. PROPERTY AND MUST NOT BE USED EXCEPT IN CONNECTION WITH KOHLER CO. WORK. ALL RIGHTS OF DESIGN OR INVENTION ARE RESERVED.

TITLE: **DIMENSION PRINT**

SCALE 0.35 CAD NO. SHEET 2 of 2
DWG NO. **ADV-8439** D