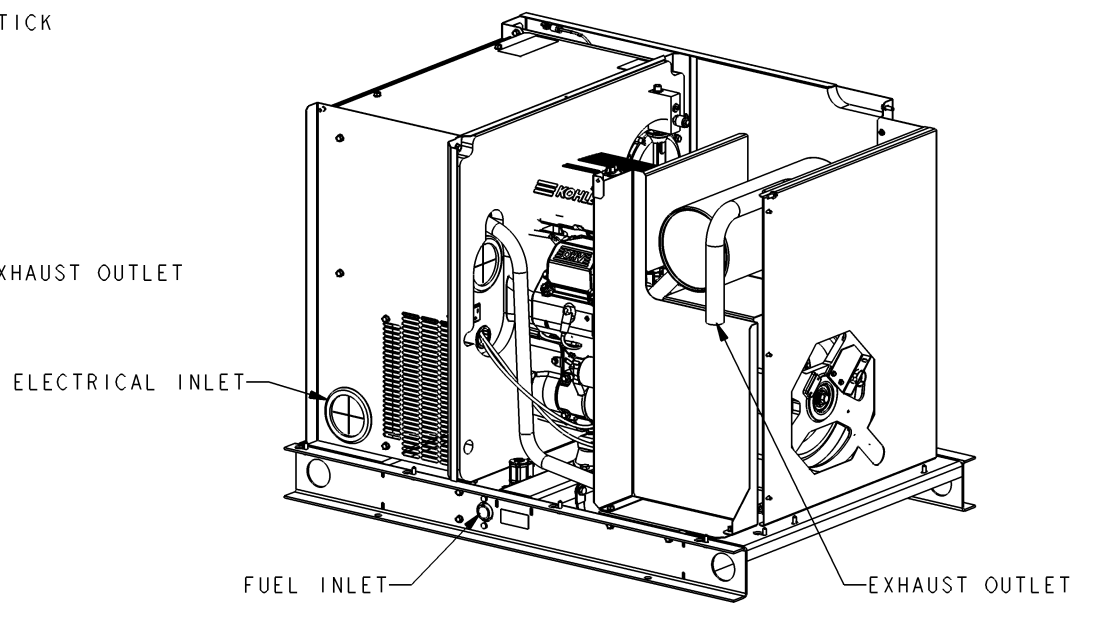
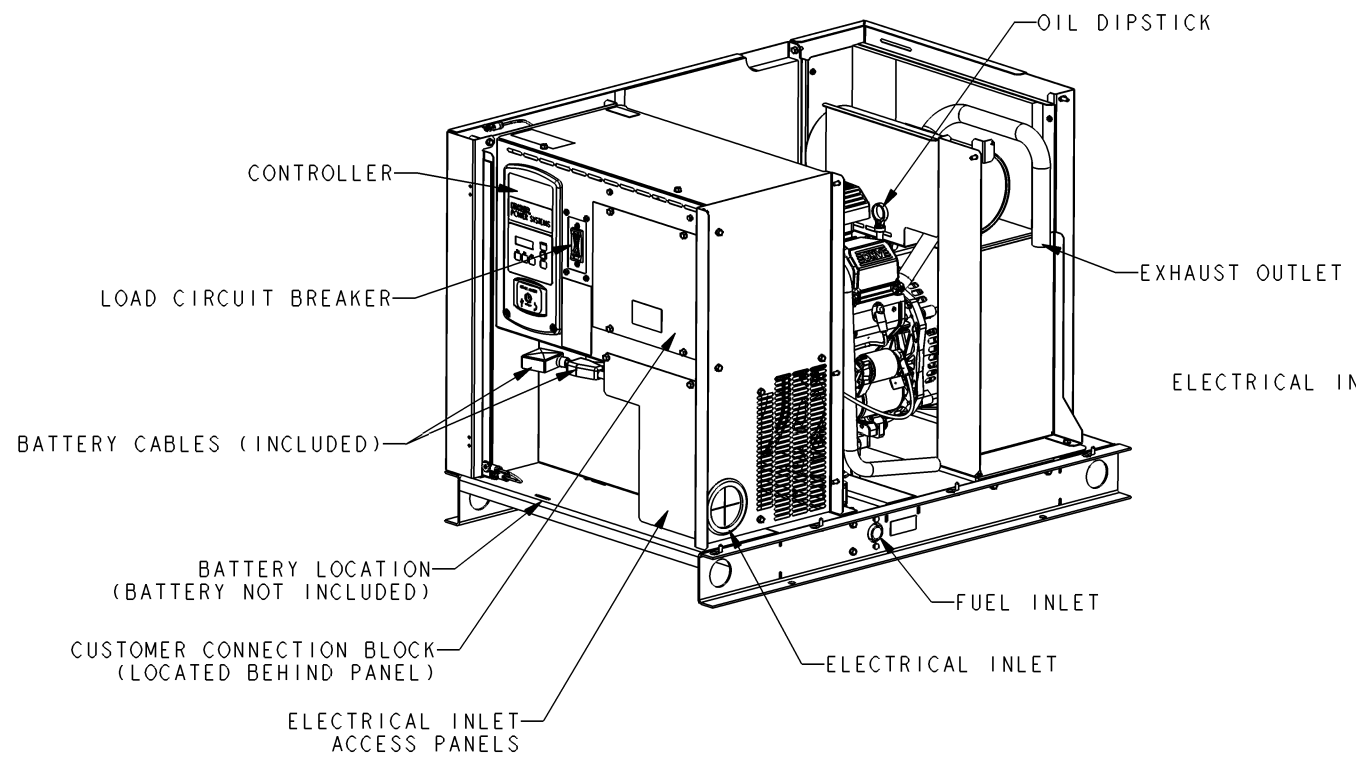
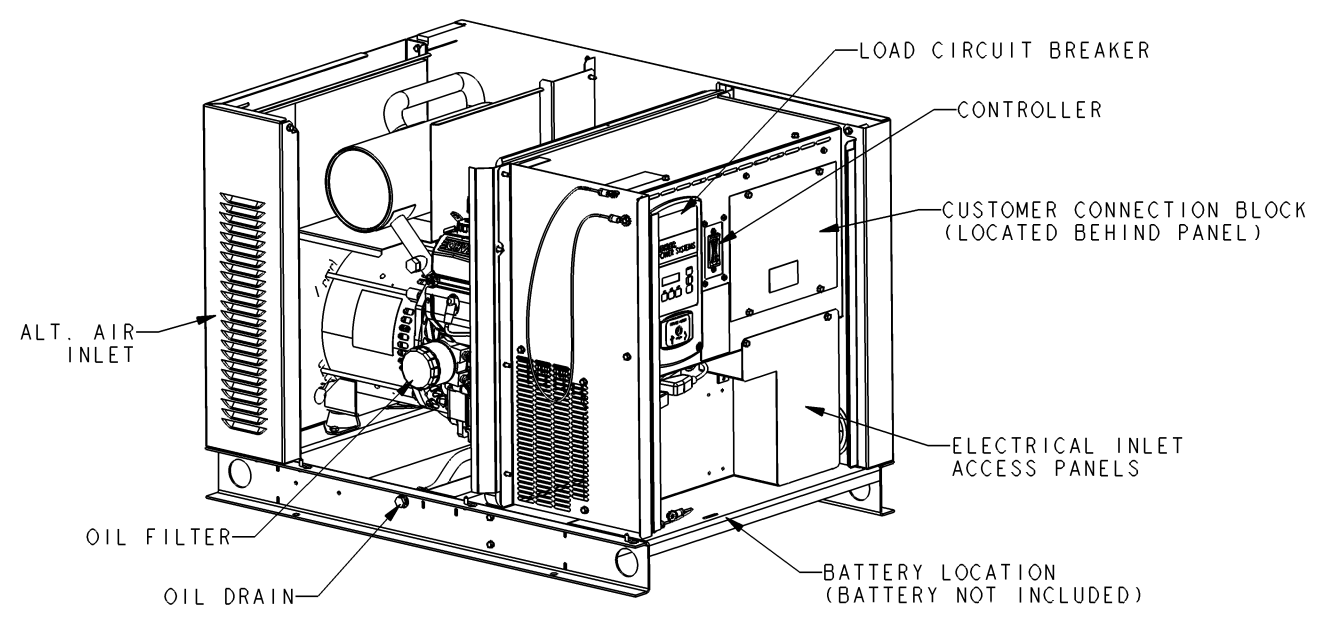
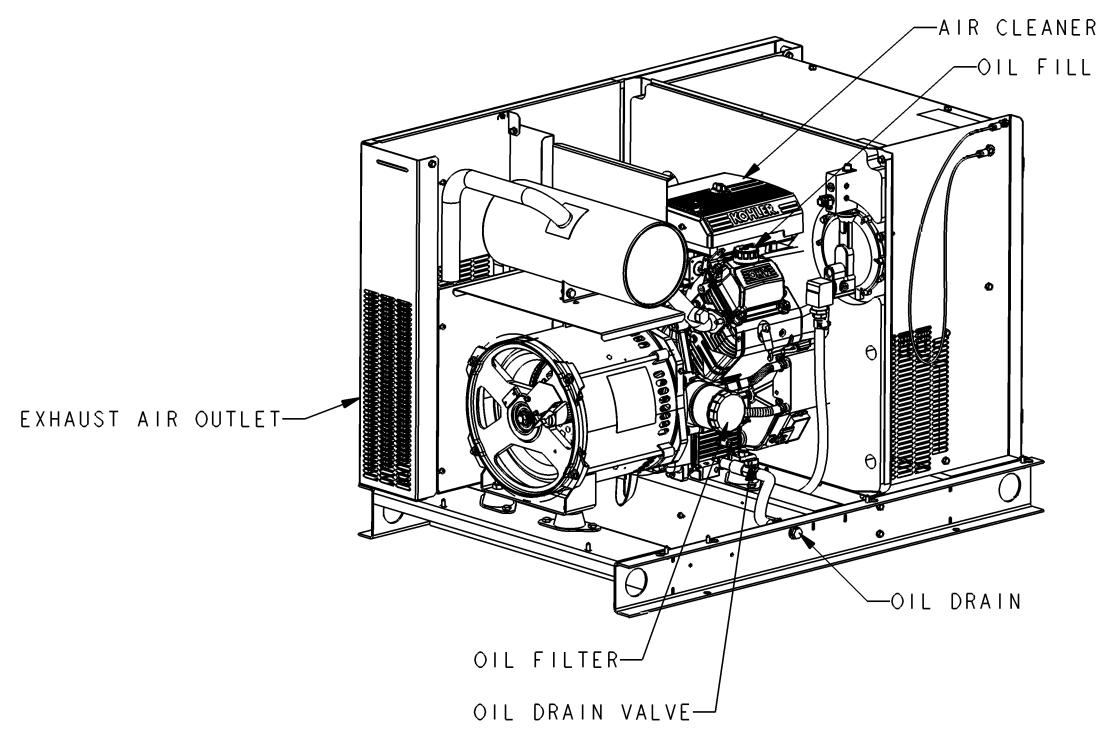


NOTE: DIMENSIONS IN [] ARE ENGLISH EQUIVALENTS.

REV	DATE	ON COMPOSITE DWGS. SEE PART NO. FOR REVISION LEVEL	BY	UNLESS OTHERWISE SPECIFIED - 1) DIMENSIONS ARE IN MILLIMETERS 2) TOLERANCES ARE:	KOHLER CO. METRIC PRO-E POWER SYSTEMS, KOHLER, WI 53044 U.S.A. THIS DRAWING IN DESIGN AND DETAIL IS KOHLER CO. PROPERTY AND MUST NOT BE USED EXCEPT IN CONNECTION WITH KOHLER CO. WORK. ALL RIGHTS OF DESIGN OR INVENTION ARE RESERVED.
-	3-30-12	NEW DRAWING (CT11296)	GFR	X.XX ± 0.25 X.X ± 1.0 X ± 1.5 ANGLES ± 0° 30' SURFACE FINISH MAX.	
				THIRD ANGLE PROJECTION	TITLE
				APPROVALS	DATE
				DRAWN	GFR 3-30-12
				CHECKED	GFR 3-30-12
				APPROVED	JJN 3-30-12
					SCALE 0.15 CAD NO. SHEET 1 of 3 DIMENSION PRINT ADV-8060

6VSG

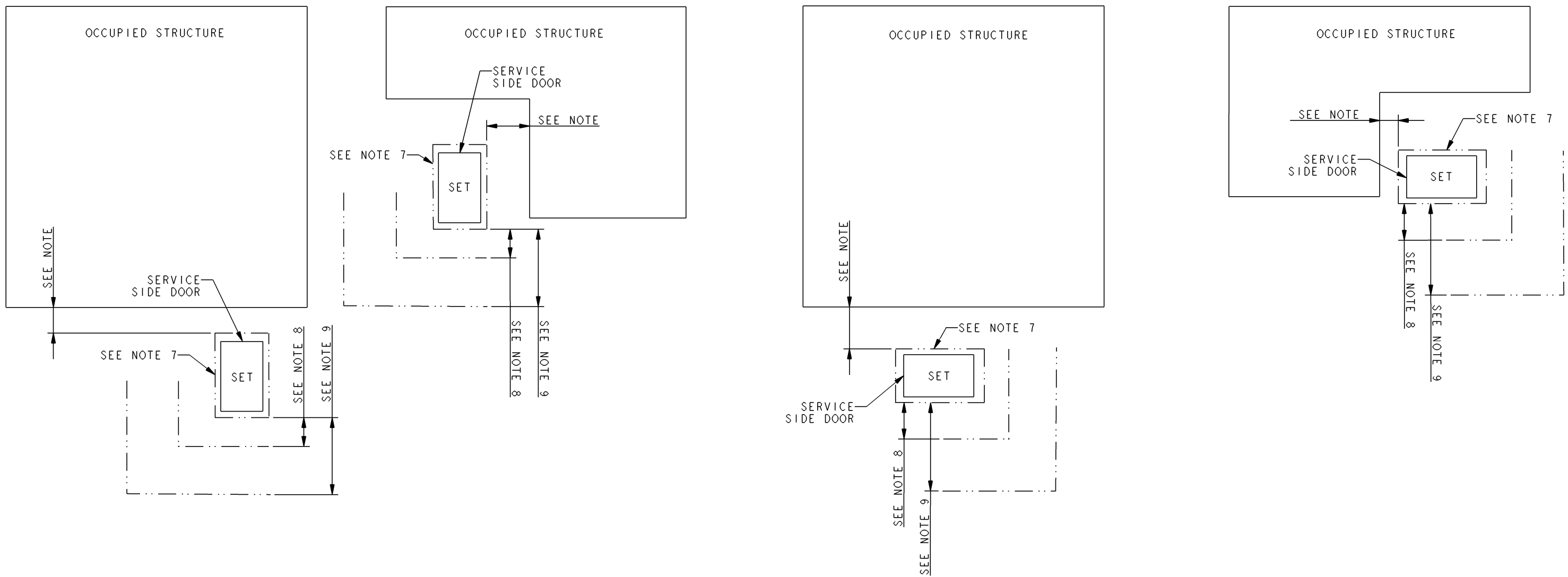


NOTE: VIEWS SHOWN WITH ENCLOSURE PANEL REMOVED FOR CLAIRITY.

NOTE: DIMENSIONS IN [] ARE ENGLISH EQUIVALENTS.

REV	DATE	ON COMPOSITE DWGS. SEE PART NO. FOR REVISION LEVEL	BY	UNLESS OTHERWISE SPECIFIED - 1) DIMENSIONS ARE IN MILLIMETERS 2) TOLERANCES ARE:	SURFACE FINISH MAX. THIRD ANGLE PROJECTION	TITLE DIMENSION PRINT	SCALE 0.15 CAD NO. SHEET 2 of 3
-	3-30-12	NEW DRAWING [CT11296]	GFR	X.XX ± 0.25 X.X ± 1.0 X ± 1.5 ANGLES ± 0° 30'			
				APPROVALS	DATE		
				DRAWN	GFR	3-30-12	
				CHECKED	GFR	3-30-12	
				APPROVED	JJN	3-30-12	

6VSG



INSTALLATION GUIDELINES

- 1) EXHAUST IS AIMED AWAY FROM OR PARALLEL TO THE STRUCTURE.
- 2) EXHAUST IS NOT DIRECTED AT PLAY AREAS, PATIOS OR OTHER AREAS WHERE PEOPLE CONGREGATE.
- 3) THE NEAREST WINDOW, VENT, DOOR OR SIMILAR STRUCTURE OPENING IS AT LEAST 5 FEET FROM THE EXHAUST END OF THE SET.
- 4) SET HAS PROPER OFFSET FROM STRUCTURE.
- 5) WINDOWS & DOORS ON ADJACENT WALLS ARE CLOSED.
- 6) FURNACE AND OTHER SIMILAR INTAKES ARE AT LEAST 10 FEET FROM EXHAUST END OF SET.
- 7) 4" THICK CONCRETE PAD EXTENDING 6" BEYOND GENSET ON ALL SIDES.
- 8) WEED BARRIER & GRAVEL BED TO EXTEND 4 FT. FROM EXHAUST OUTLET. NO PLANTS, SHRUBS OR OTHER COMBUSTIBLES ALLOWED IN GRAVEL AREA.
- 9) SENSITIVE PLANTS, PATIO FURNITURE, ETC. ARE AT LEAST 8 FEET FROM EXHAUST END OF SET.
- 10) REFER TO OWNERS MANUAL FOR OTHER INSTALLATION CONSTRAINTS.

NOTE:
 THE RECOMMENDED DISTANCE FROM A STRUCTURE IS DEPENDENT ON STATE AND LOCAL CODES. NFPA 37, STANDARDS FOR THE INSTALLATION AND USE OF STATIONARY COMBUSTION ENGINES AND GAS TURBINES, STATES THIS DISTANCE SHOULD BE AT LEAST 5 FEET FROM A COMBUSTIBLE MATERIAL. FOR INSTALLATIONS NEAR NON-COMBUSTIBLE MATERIAL BE SURE TO LEAVE A MINIMUM DISTANCE OF 3 FEET TO ENSURE PROPER GENERATOR COOLING.

NOTE: DIMENSIONS IN [] ARE ENGLISH EQUIVALENTS.

REV	DATE	ON COMPOSITE DWGS. SEE PART NO. FOR REVISION LEVEL	BY	UNLESS OTHERWISE SPECIFIED - 1) DIMENSIONS ARE IN MILLIMETERS 2) TOLERANCES ARE:	TITLE
-	3-30-12	NEW DRAWING [CT11296]	GFR	X.XX ± 0.25 X.X ± 1.0 X ± 1.5 ANGLES ± 0° 30' MAX.	KOHLER CO. METRIC PRO-E POWER SYSTEMS, KOHLER, WI 53044 U.S.A. THIS DRAWING IN DESIGN AND DETAIL IS KOHLER CO. PROPERTY AND MUST NOT BE USED EXCEPT IN CONNECTION WITH KOHLER CO. WORK. ALL RIGHTS OF DESIGN OR INVENTION ARE RESERVED.
				THIRD ANGLE PROJECTION	DIMENSION PRINT
		APPROVALS	DATE	SCALE 0.15 CAD NO. SHEET 3 of 3	
		DRAWN	GFR 3-30-12	DWG NO. ADV-8060	
		CHECKED	GFR 3-30-12	D	
		APPROVED	JJN 3-30-12		

6VSG