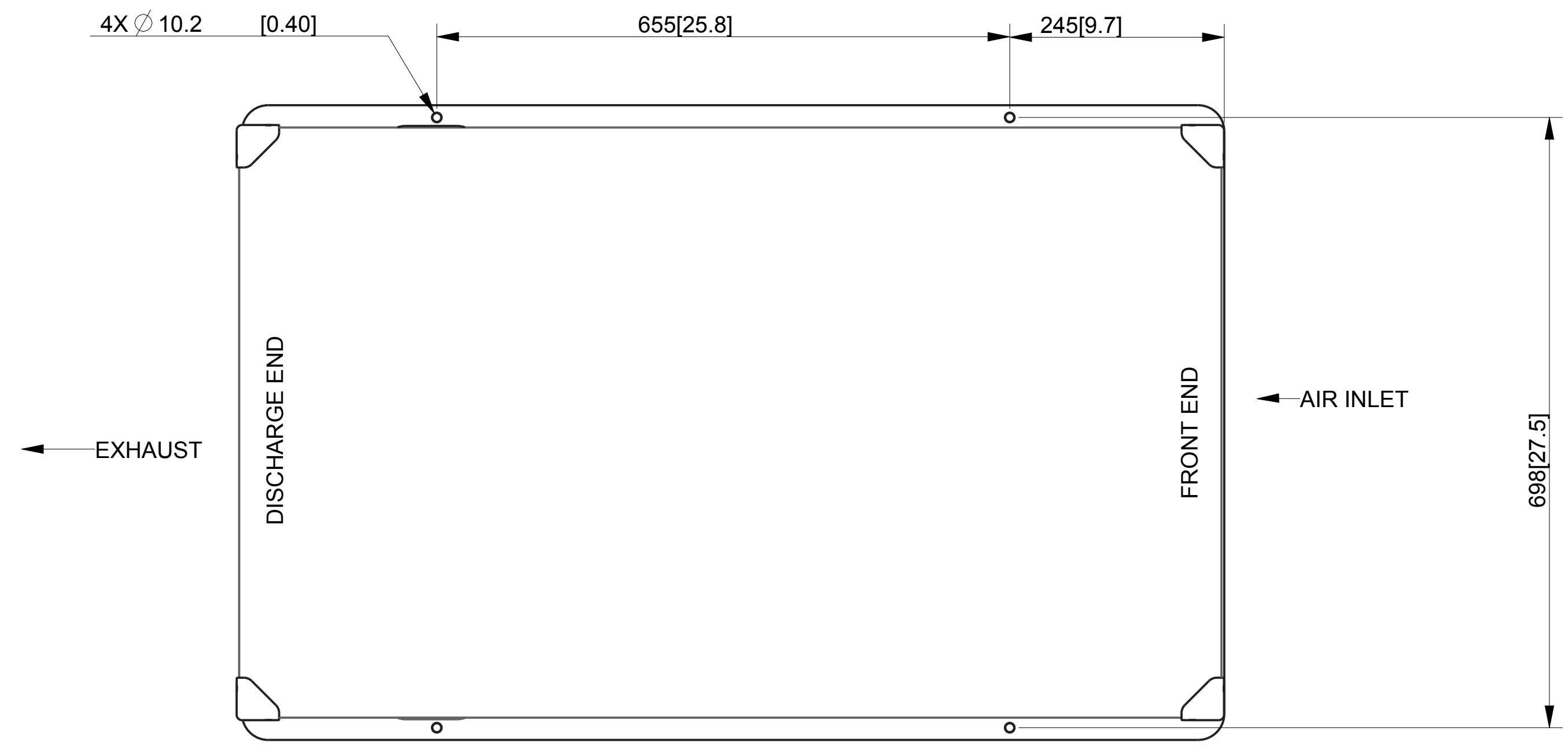
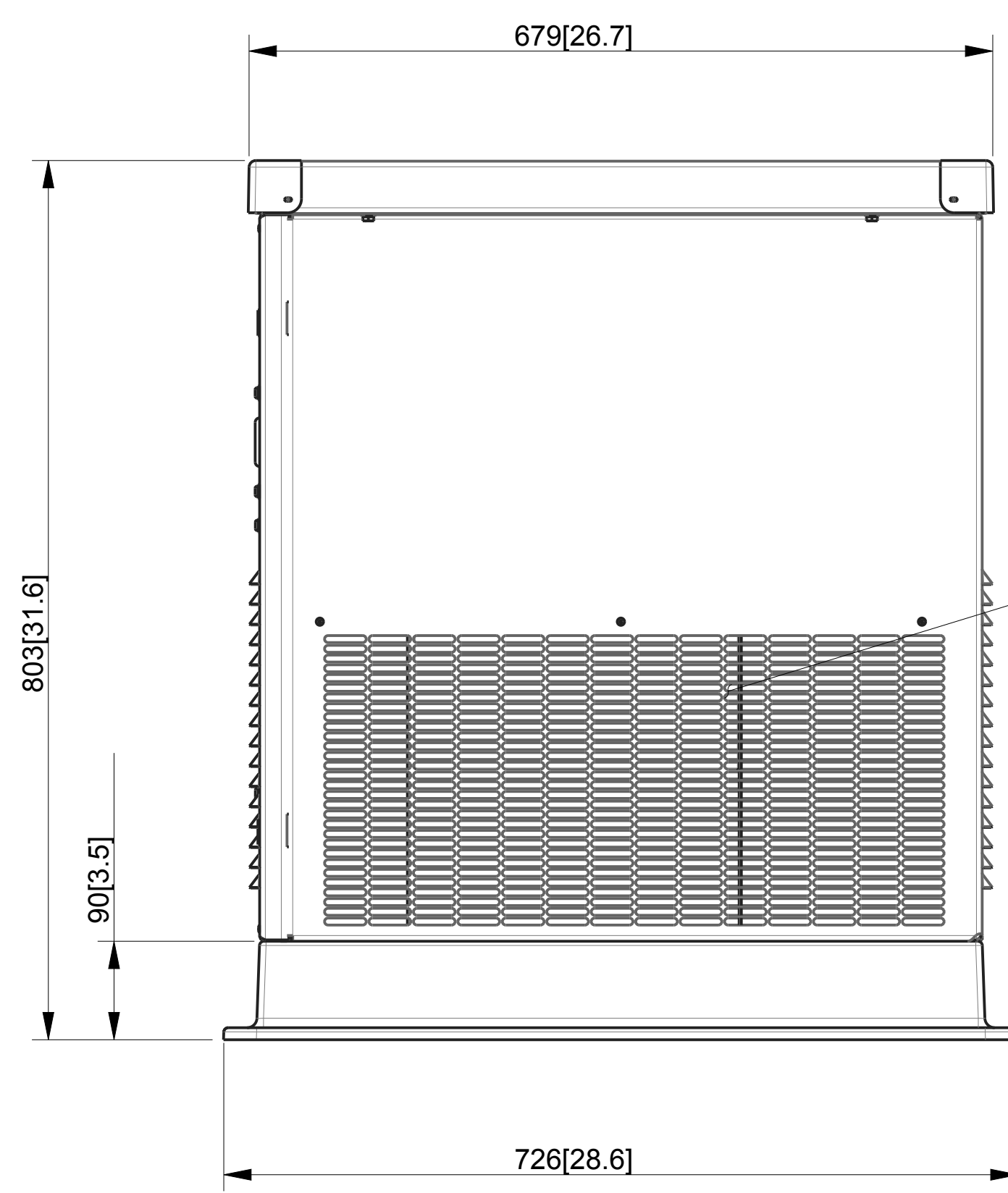
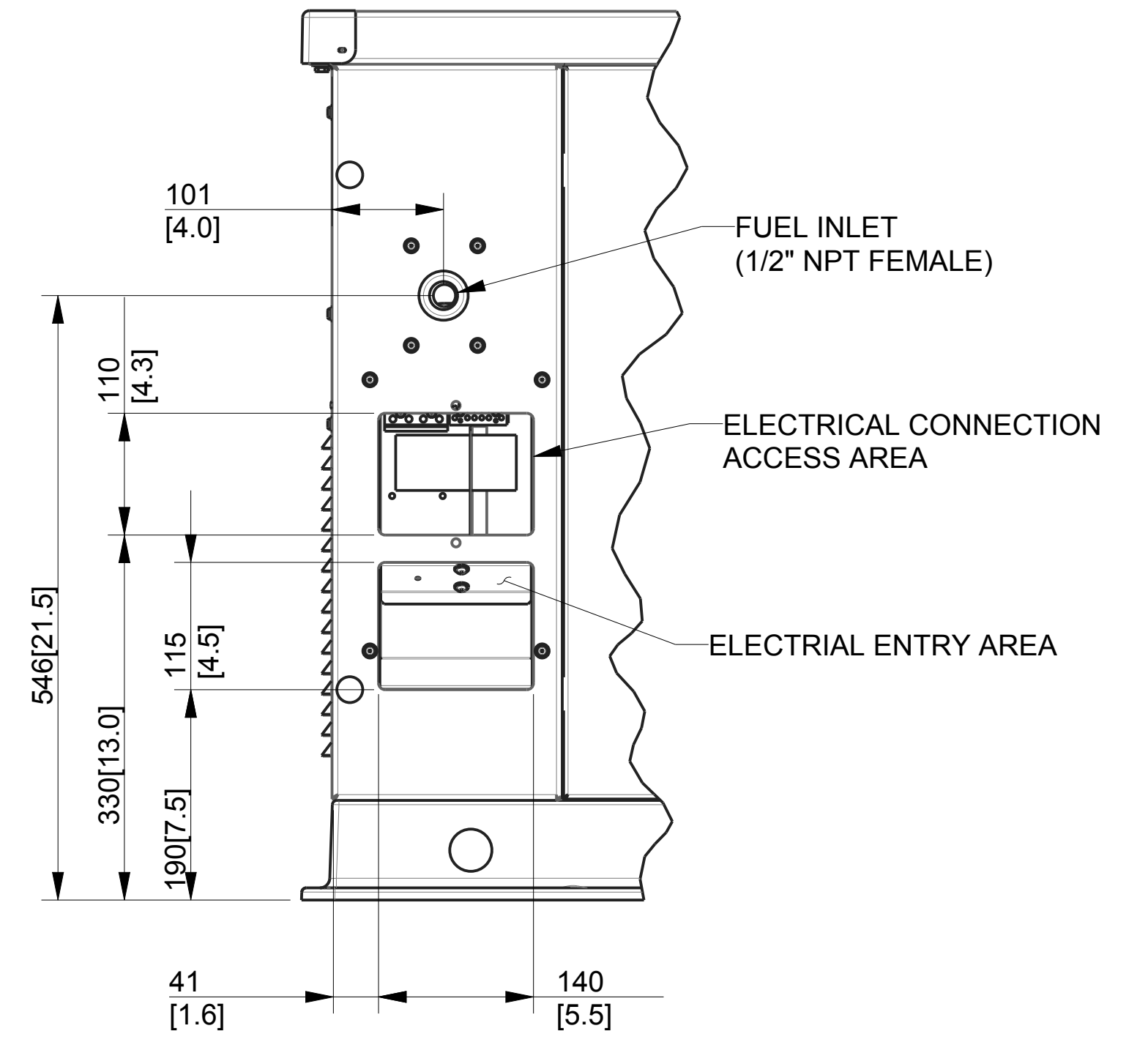


SCALE 0.125

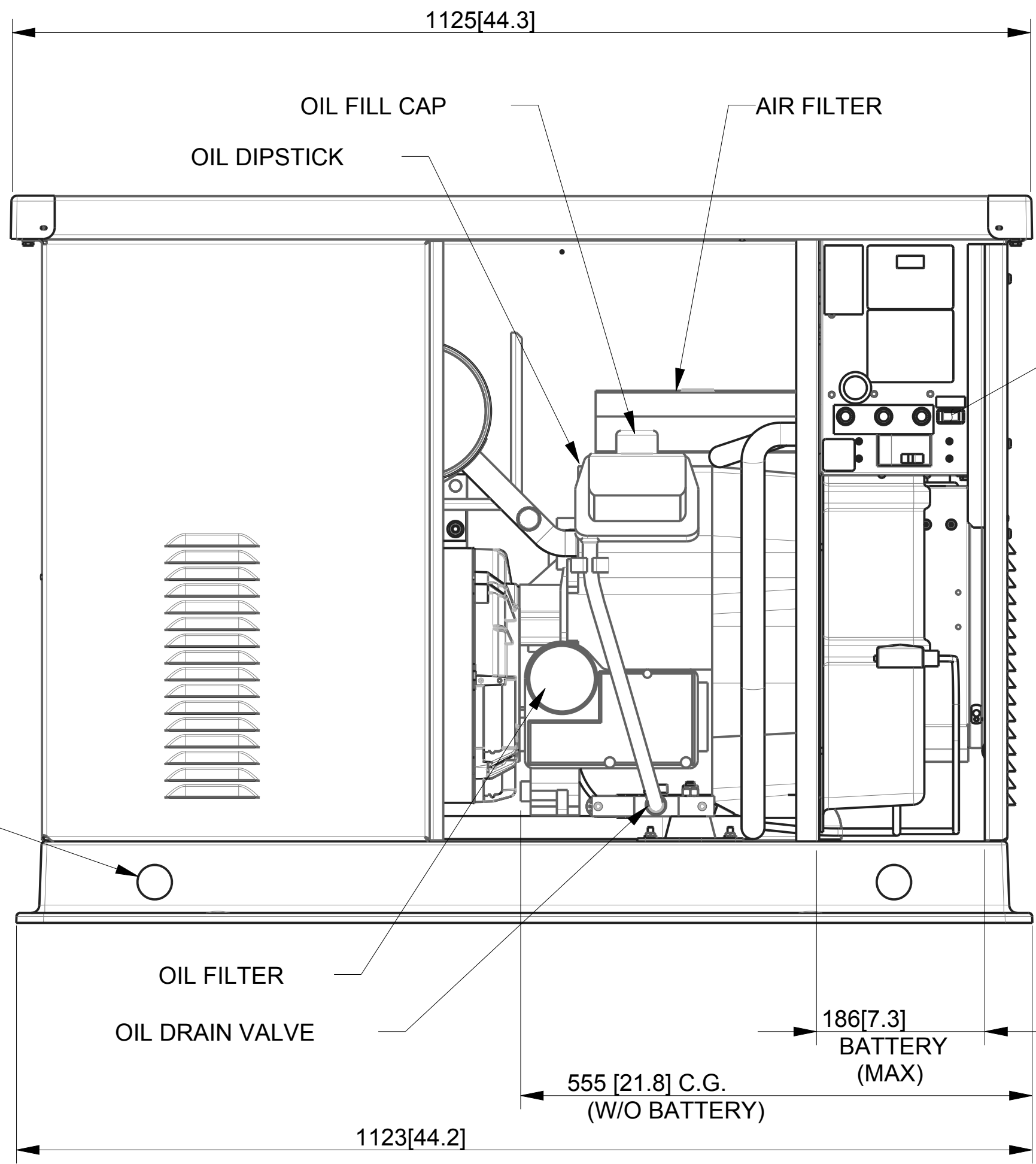


SERVICE DOOR SIDE

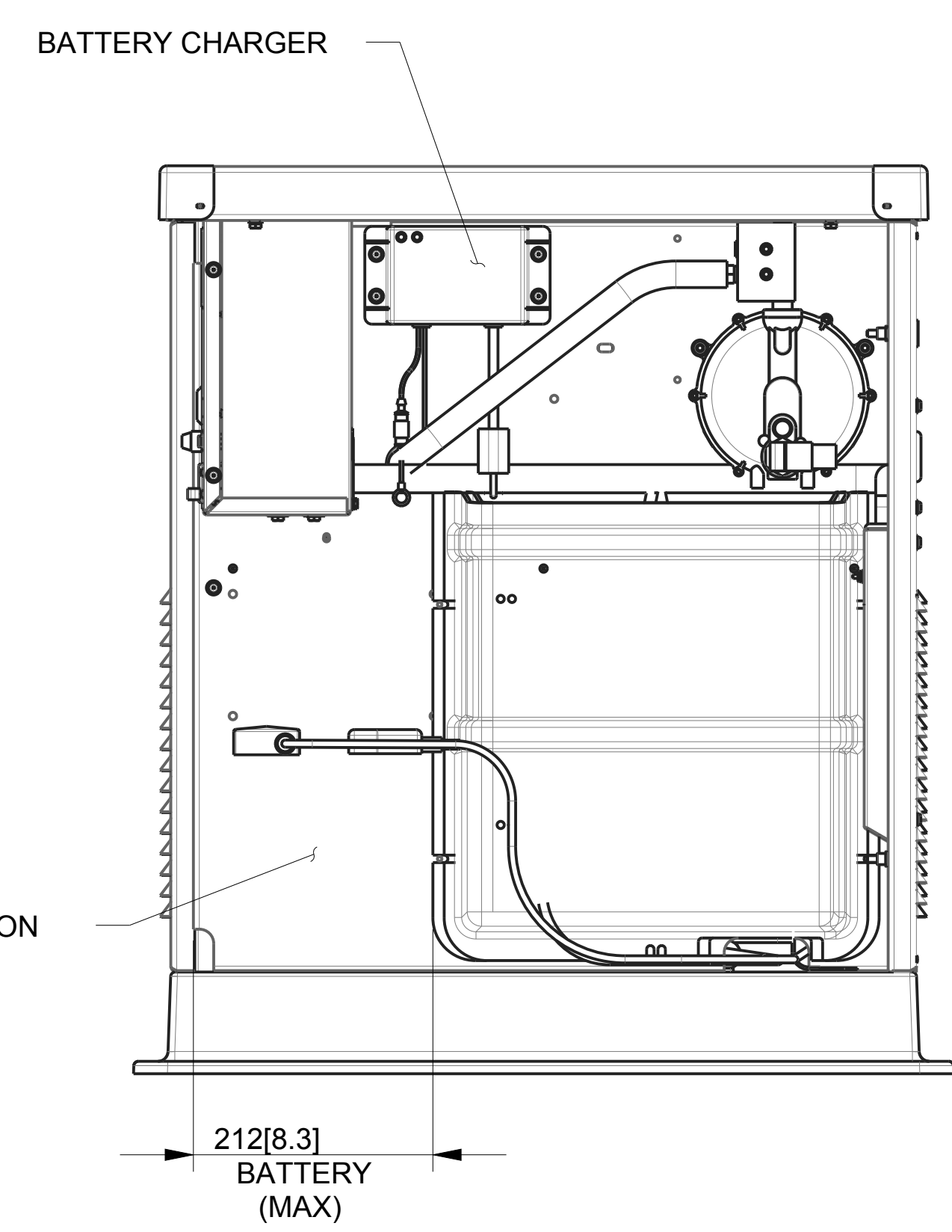


EXHAUST OUTLET

4X Ø 38.1 [1.50]
LIFTING HOLES



FRONT VIEW
(DOOR REMOVED)

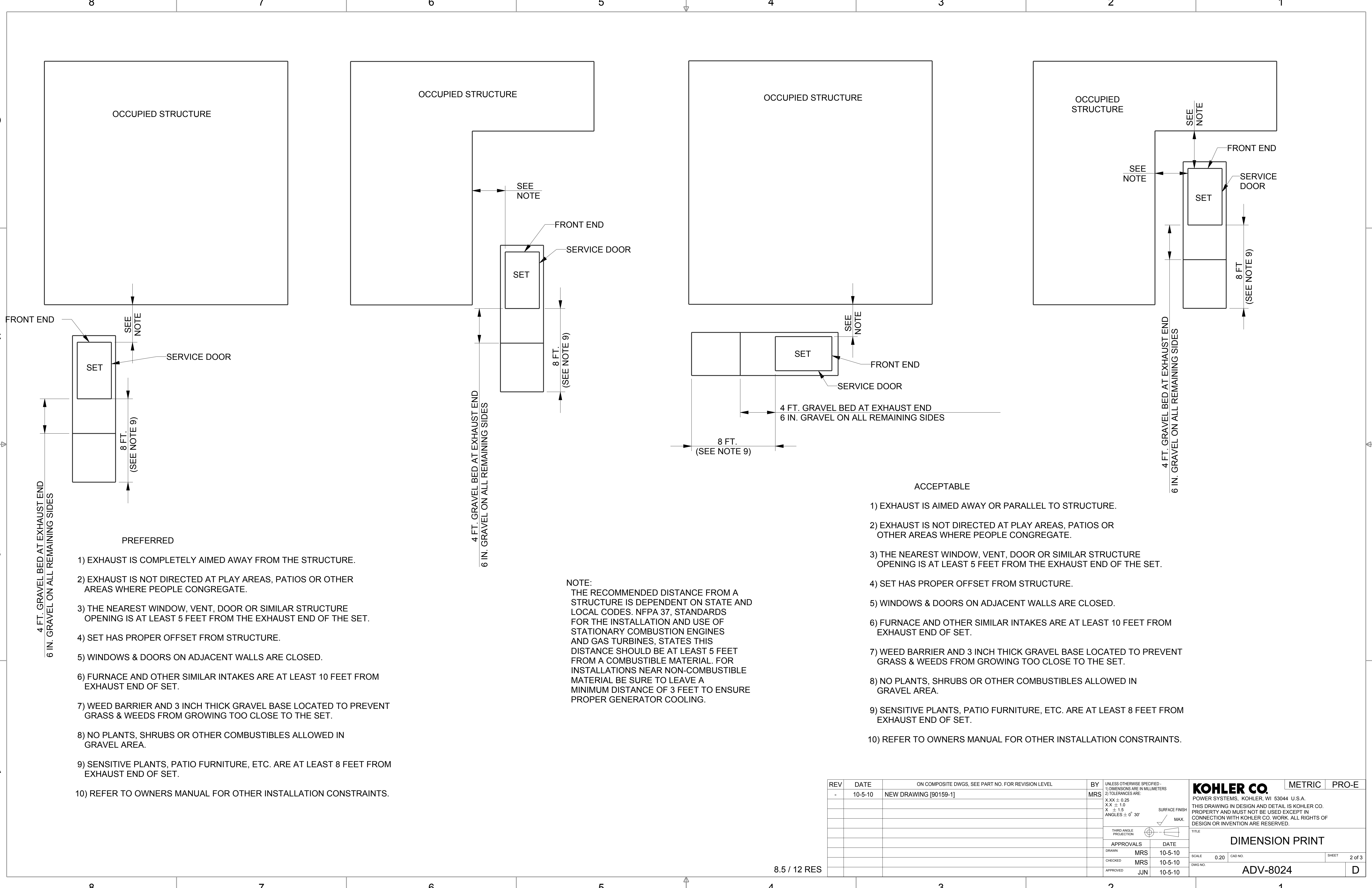


RIGHT SIDE VIEW
(END PANEL REMOVED)

NOTES:
DIMENSIONS IN [] ARE INCH EQUIVALENTS.
WEIGHT W/O BATTERY: 182KG [400 IBS]

8.5 / 12 RES

REV	DATE	ON COMPOSITE DWGS, SEE PART NO. FOR REVISION LEVEL	BY	UNLESS OTHERWISE SPECIFIED - 1) DIMENSIONS ARE IN MILLIMETERS 2) TOLERANCES ARE:	APPROVALS	DATE	TITLE
-	10-4-10	NEW DRAWING [90159-1]	MRS	X.XX ± 0.25 X.X ± 1.0 X ± 1.5 ANGLES ± 0° 30'	MRS	10-4-10	KOHLER CO. METRIC PRO-E POWER SYSTEMS, KOHLER, WI 53044 U.S.A. THIS DRAWING IN DESIGN AND DETAIL IS KOHLER CO. PROPERTY AND MUST NOT BE USED EXCEPT IN CONNECTION WITH KOHLER CO. WORK. ALL RIGHTS OF DESIGN OR INVENTION ARE RESERVED.
							DIMENSION PRINT
							SCALE 0.20 CAD NO. SHEET 1 of 3
							DWG NO. ADV-8024 D



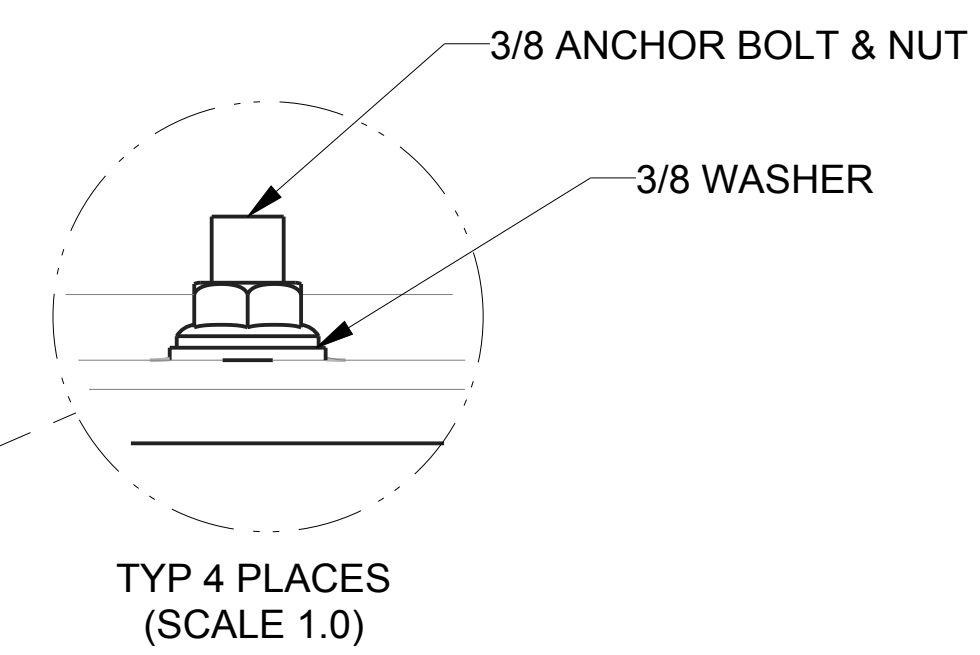
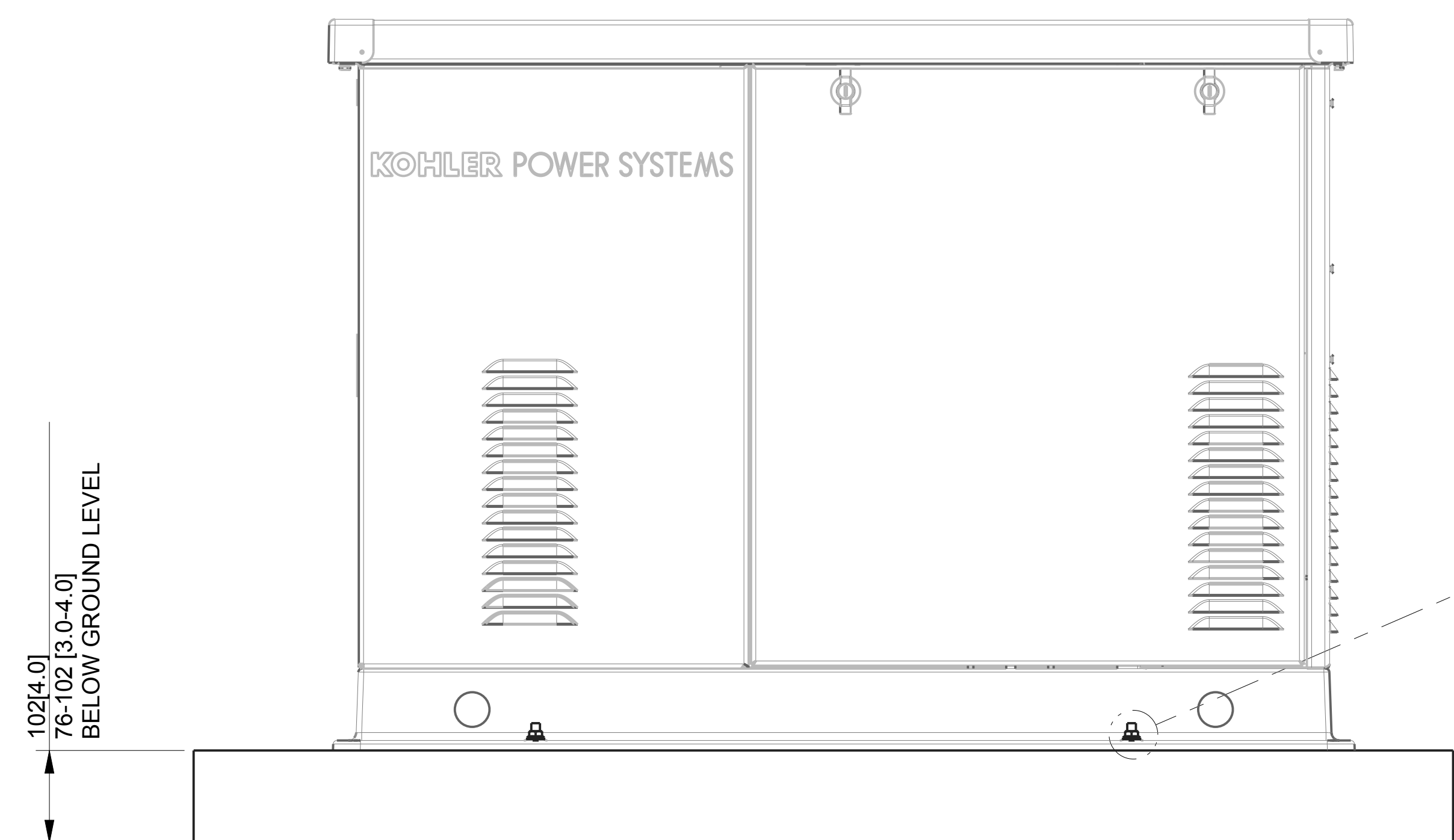
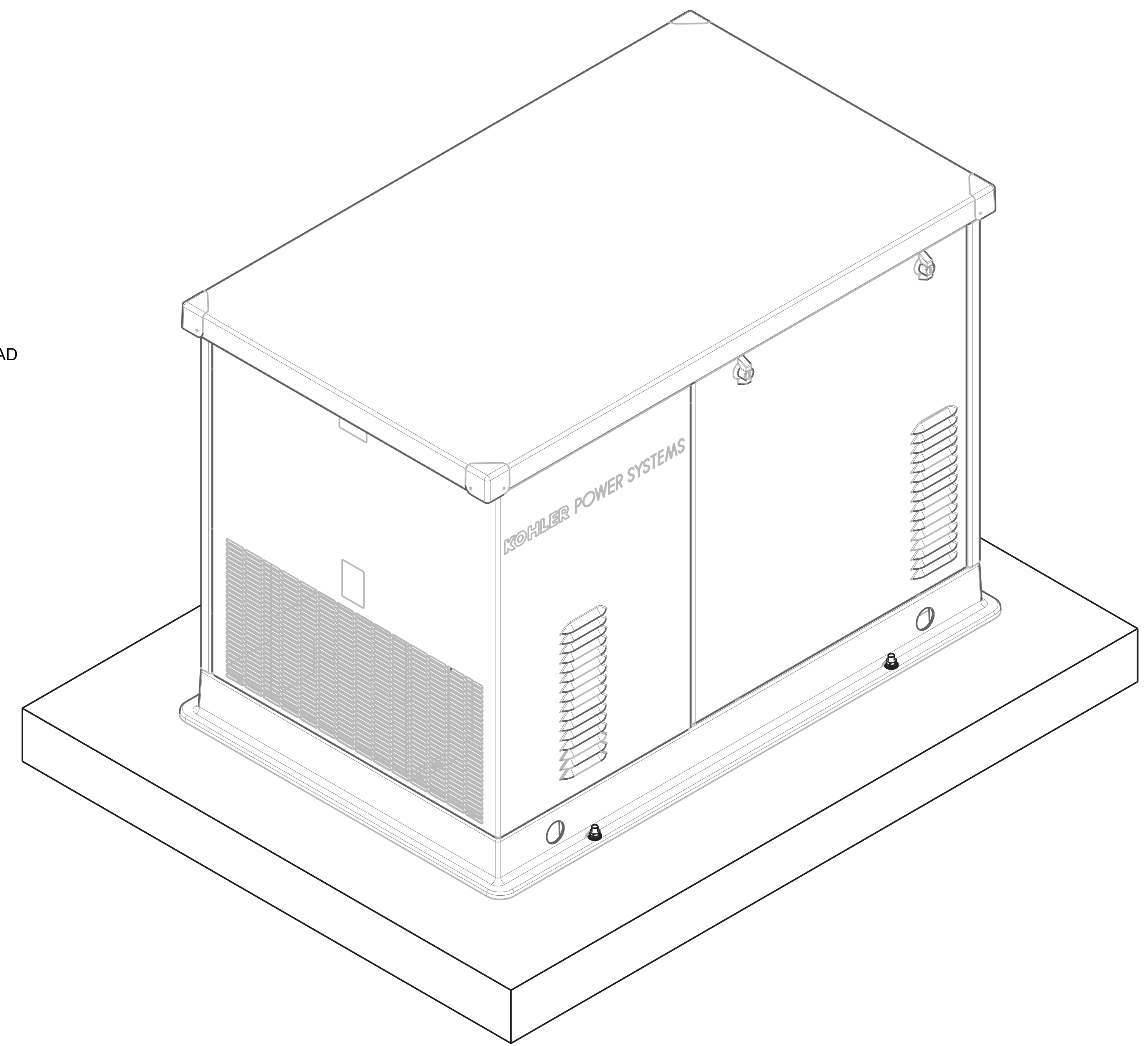
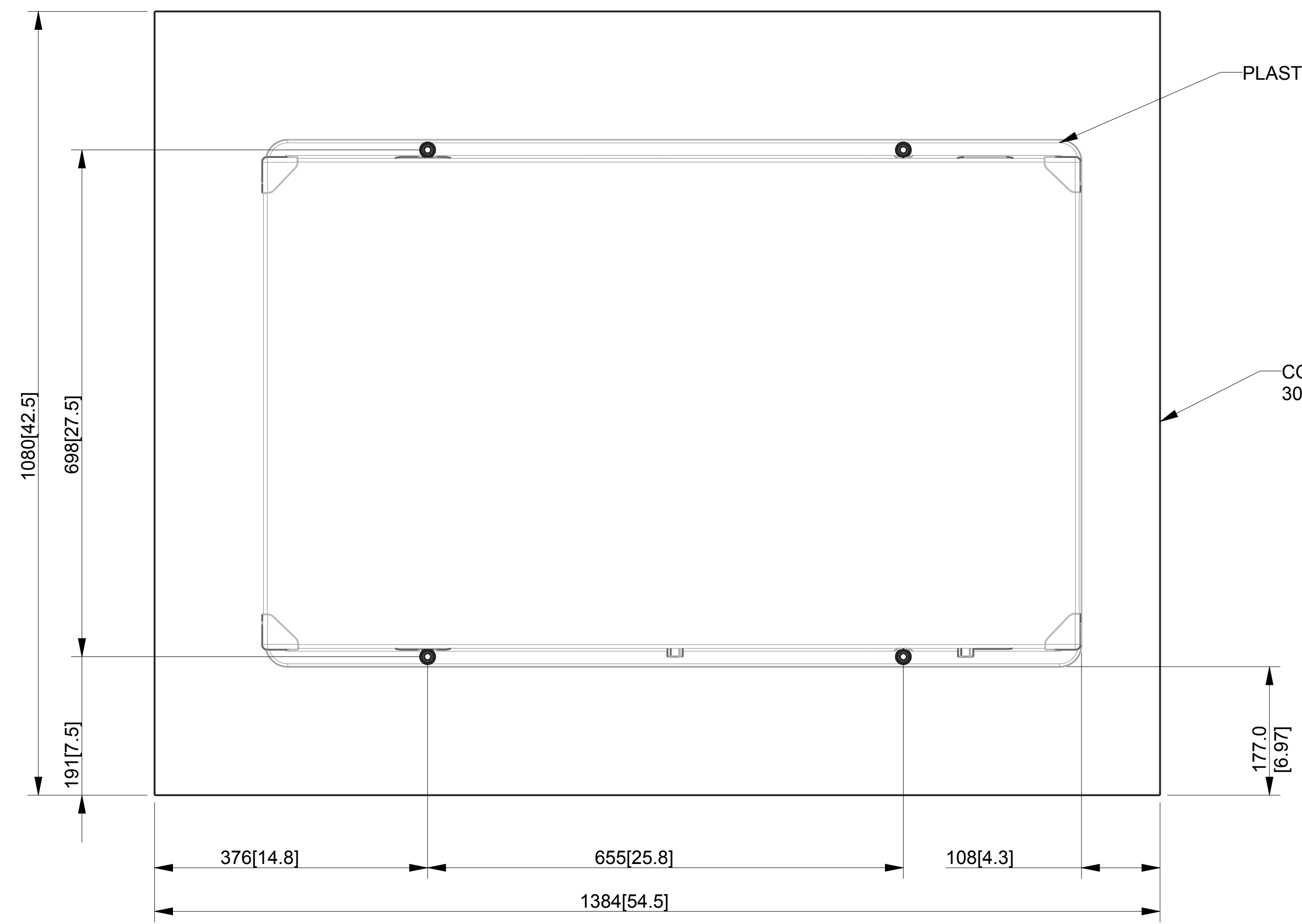
- PREFERRED**
- 1) EXHAUST IS COMPLETELY AIMED AWAY FROM THE STRUCTURE.
 - 2) EXHAUST IS NOT DIRECTED AT PLAY AREAS, PATIOS OR OTHER AREAS WHERE PEOPLE CONGREGATE.
 - 3) THE NEAREST WINDOW, VENT, DOOR OR SIMILAR STRUCTURE OPENING IS AT LEAST 5 FEET FROM THE EXHAUST END OF THE SET.
 - 4) SET HAS PROPER OFFSET FROM STRUCTURE.
 - 5) WINDOWS & DOORS ON ADJACENT WALLS ARE CLOSED.
 - 6) FURNACE AND OTHER SIMILAR INTAKES ARE AT LEAST 10 FEET FROM EXHAUST END OF SET.
 - 7) WEED BARRIER AND 3 INCH THICK GRAVEL BASE LOCATED TO PREVENT GRASS & WEEDS FROM GROWING TOO CLOSE TO THE SET.
 - 8) NO PLANTS, SHRUBS OR OTHER COMBUSTIBLES ALLOWED IN GRAVEL AREA.
 - 9) SENSITIVE PLANTS, PATIO FURNITURE, ETC. ARE AT LEAST 8 FEET FROM EXHAUST END OF SET.
 - 10) REFER TO OWNERS MANUAL FOR OTHER INSTALLATION CONSTRAINTS.

NOTE:
 THE RECOMMENDED DISTANCE FROM A STRUCTURE IS DEPENDENT ON STATE AND LOCAL CODES. NFPA 37, STANDARDS FOR THE INSTALLATION AND USE OF STATIONARY COMBUSTION ENGINES AND GAS TURBINES, STATES THIS DISTANCE SHOULD BE AT LEAST 5 FEET FROM A COMBUSTIBLE MATERIAL. FOR INSTALLATIONS NEAR NON-COMBUSTIBLE MATERIAL BE SURE TO LEAVE A MINIMUM DISTANCE OF 3 FEET TO ENSURE PROPER GENERATOR COOLING.

- ACCEPTABLE**
- 1) EXHAUST IS AIMED AWAY OR PARALLEL TO STRUCTURE.
 - 2) EXHAUST IS NOT DIRECTED AT PLAY AREAS, PATIOS OR OTHER AREAS WHERE PEOPLE CONGREGATE.
 - 3) THE NEAREST WINDOW, VENT, DOOR OR SIMILAR STRUCTURE OPENING IS AT LEAST 5 FEET FROM THE EXHAUST END OF THE SET.
 - 4) SET HAS PROPER OFFSET FROM STRUCTURE.
 - 5) WINDOWS & DOORS ON ADJACENT WALLS ARE CLOSED.
 - 6) FURNACE AND OTHER SIMILAR INTAKES ARE AT LEAST 10 FEET FROM EXHAUST END OF SET.
 - 7) WEED BARRIER AND 3 INCH THICK GRAVEL BASE LOCATED TO PREVENT GRASS & WEEDS FROM GROWING TOO CLOSE TO THE SET.
 - 8) NO PLANTS, SHRUBS OR OTHER COMBUSTIBLES ALLOWED IN GRAVEL AREA.
 - 9) SENSITIVE PLANTS, PATIO FURNITURE, ETC. ARE AT LEAST 8 FEET FROM EXHAUST END OF SET.
 - 10) REFER TO OWNERS MANUAL FOR OTHER INSTALLATION CONSTRAINTS.

REV	DATE	ON COMPOSITE DWGS. SEE PART NO. FOR REVISION LEVEL	BY	UNLESS OTHERWISE SPECIFIED - 1) DIMENSIONS ARE IN MILLIMETERS 2) TOLERANCES ARE:
-	10-5-10	NEW DRAWING [90159-1]	MRS	X.XX ± 0.25 X.X ± 1.0 X ± 1.5 ANGLES ± 0° 30'
				SURFACE FINISH MAX.
				THIRD ANGLE PROJECTION
				APPROVALS
				DATE
				DRAWN MRS 10-5-10
				CHECKED MRS 10-5-10
				APPROVED JJN 10-5-10

KOHLER CO. METRIC PRO-E	
POWER SYSTEMS, KOHLER, WI 53044 U.S.A.	
THIS DRAWING IN DESIGN AND DETAIL IS KOHLER CO. PROPERTY AND MUST NOT BE USED EXCEPT IN CONNECTION WITH KOHLER CO. WORK. ALL RIGHTS OF DESIGN OR INVENTION ARE RESERVED.	
TITLE DIMENSION PRINT	
SCALE 0.20	CAD NO.
DWG NO.	SHEET 2 of 3
ADV-8024	
D	



NOTE:
 BOLTED CONNECTION REQUIREMENTS:
 SHEAR LOAD 150 LBS/BOLT.
 PULL OUT FORCE 200 LBS/BOLT.

8.5 / 12 RES
150MPH - HIGH WIND
MOUNTING DETAIL

REV	DATE	ON COMPOSITE DWGS, SEE PART NO. FOR REVISION LEVEL	BY	UNLESS OTHERWISE SPECIFIED - 1) DIMENSIONS ARE IN MILLIMETERS 2) TOLERANCES ARE:	APPROVALS	DATE	SURFACE FINISH		TITLE	
-	10-5-10	NEW DRAWING [90159-1]	MRS	X.XX ± 0.25 X.X ± 1.0 X ± 1.5 ANGLES ± 0° 30'		10-5-10	MAX.	DIMENSION PRINT		
								KOHLER CO. METRIC PRO-E		
								POWER SYSTEMS, KOHLER, WI 53044 U.S.A.		
								THIS DRAWING IN DESIGN AND DETAIL IS KOHLER CO. PROPERTY AND MUST NOT BE USED EXCEPT IN CONNECTION WITH KOHLER CO. WORK. ALL RIGHTS OF DESIGN OR INVENTION ARE RESERVED.		
								SCALE 0.20 CAD NO. SHEET 3 of 3		
								ADV-8024 D		